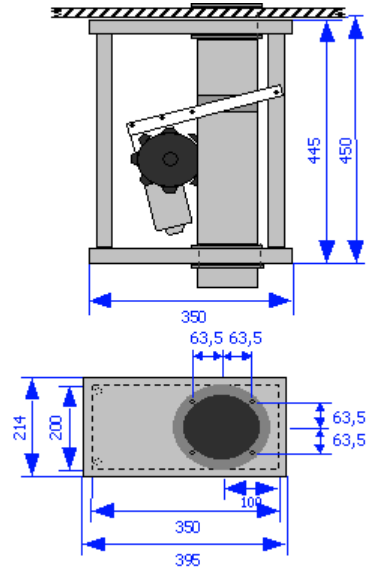


HR-Desk-Station – AC 1000/3000

110

160



Use:

The HR-Desk-Station exclusively serves for arrival from below. Suitable for installation in desks, tables or other furniture.

Dispatch:

Carrier can be inserted into a storage facility on top of the station. The desk-station transports a stored carrier fully automatic to its desired destination.

Receive:

An arriving carrier is automatically transported by an integrated motor roller drive to the desk level. There it can be removed.

Easy of Use:

	AC 1000	AC 3000
• An automatically opening cover locks the sending-/receiving funnel flush to the furniture.	√	√
• During a receiving process no carrier can be stored.	√	√
• Intuitive user guide	√	√
• Most simple operation	√	√
• Arrival signals this means that several users have access to the station, each of them gets its own signal	5	16
AC 1000: Optional the number of arrival signals can be extended to 10 without any problems.	√	
• Several destination numbers can be assigned to one signal and several signals can be assigned to one destination. (Software-controlled).	√	√
• Follow me function in case of absence, also temporary available	√	√
• Optionally activation of the station by magnet reader or similar.		√
• 3 LEDs in the operation panel show the state of operation	√	√
• Display indicates users, destinations and special functions in clear text (2-lines, each 24-digits)		√
• By a scroll-function of the station-keyboard all users easily can be found		√
• Special functions, like priority or slow transport can be assigned either to the station or to the destination number	√	√
• Repetition control for several carriers to the same destination, optionally fix programmed or variable	√	√
• Destination numbers up to:	2 to 4	5

Technique

- Housing is always closed.
- An arriving carrier is automatically transported by an integrated motor roller drive to the desk level.
- An open storage facility and a separate receiving funnel are situated on top of the station and can be flush mounted with the furniture top level.
- For the use of the HR-Station an external operating unit is essential.

Quality

- Industrial grade, heavy duty motors
- Electronically, software-controlled motor driver

© by Aerocom – Technical alterations reserved

aerocom

Aerocom GmbH & Co
 Communicationsystems
 P.O. Box 10 02 13
 D – 73514 Schwäbisch Gmünd
 Germany

Phone +49.71 71.10 45 0
 Fax +49.71 71.10 45.2 99

info@aerocom.de
 www.aerocom.de