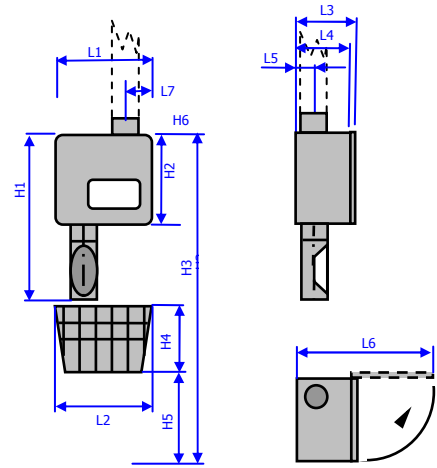


# OES-Station - AC 3000

- 110
- 160
- 200



| OD  | Art. - No. | L1  | L2  | L3  | L4  | L5  | L6  | L7  | H1  | H2  | H3   | H4  | H5  | H6    | Weight |
|-----|------------|-----|-----|-----|-----|-----|-----|-----|-----|-----|------|-----|-----|-------|--------|
| 110 | 134 445    | 300 | 480 | 250 | 231 | 112 | 531 | 81  | 638 | 325 | 1600 | 300 | 450 | 60 mm | 35 kg  |
| 160 | 134 448    | 463 | 480 | 359 | 340 | 146 | 803 | 130 | 731 | 400 | 1700 | 500 | 330 | 44 mm | 40 kg  |
| 200 | 134 449    | 520 | 480 | 359 | 340 | 143 | 860 | 140 | 800 | 500 | 1800 | 500 | 330 | 44 mm | 45 kg  |

**Use:**

The OES-Station (OES=Open-End-Station after diverter) is generally used as an endstation. The dispatch tube has to be connected at the top of the station.

**Send:**

The OES-station sends a stored carrier automatically to the desired destination.

**Receive:**

Carriers arrive gently on an air cushion and are deposited in a sound proofed receptacle.

**Easy of use:**

|  | AC 3000 |
|--|---------|
| • The open storage facility is situated below the station. A carrier can be stored at any time, independent of the state of operation of the system! | √       |
| • Display indicates users and special functions in clear text (2-lines, 24-characters each)  | √       |
| • By a scroll function of the station-keyboard all users easily can be found in the directory.   | √       |
| • The ergonomically designed station-keyboard is protected against dust and dirt by a telephone-type membrane key pad.                               | √       |
| • 3 LEDs in the operation panel show the state of operation  | √       |
| • 16 arrival signals, this means that several users have access to the station, each of them gets it's own signal                                    | 16      |
| • Several destination numbers can be assigned to one signal and several signals can be assigned to one destination. (software-controlled).           | √       |
| • Follow me function in case of absence, also temporary available.   | √       |
| • Special functions, like priority or slow transport can be assigned either to the station or to the destination number                              | √       |
| • Repetition control for several carriers to the same destination, optionally fix programmed or variable.  | √       |
| • Destination numbers up to 5-digits   | √       |

**Technique:**

- An integrated slide gate provides the silent receiving of carriers. This is very important for the transport of heavy weights or sensitive goods
- Carriers are deposited in a sound proofed receptacle
- An integrated service switch allows extensive function tests at the station; direct feed back in the display

© Aerocom - 2008

# OES-Station - AC 3000

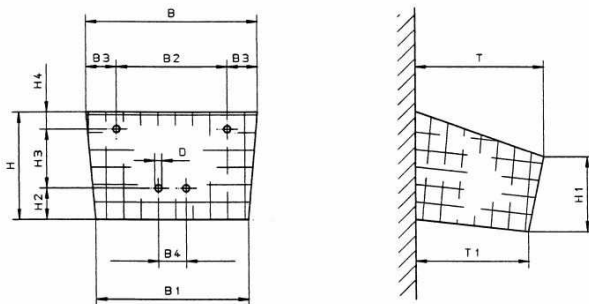


**Operating panel  
AC 3000**

## Quality:

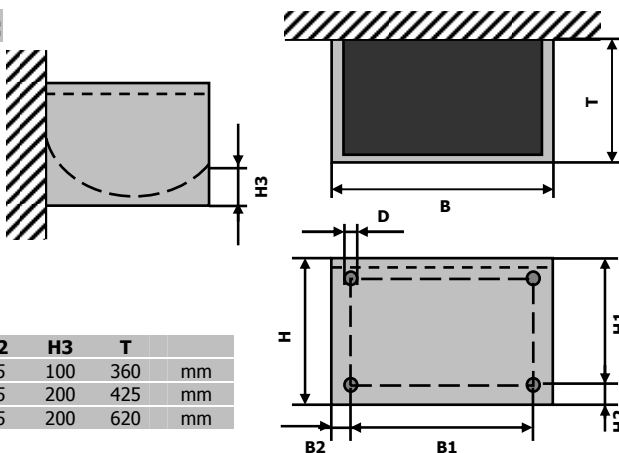
- Steel box with swivel door, colour RAL 7035
- Proximity switches
- Electronically, software-controlled motor driver
- Industrial grade, heavy duty motor
- Integrated in the swivel door are operation panel, keyboard, display and the electronic-control-unit
- Electronic microprocessor controls (maintenance-free)

## Accessories: Receiving baskets (lattice):



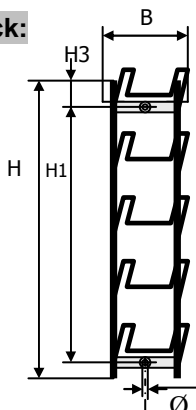
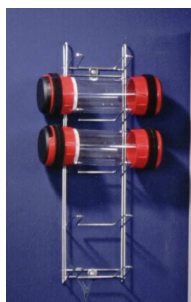
| Art.No. |           | D   | B   | B1  | B2  | B3   | B4 | H   | H1  | H2 | H3  | H4 | T   | T1  |    |
|---------|-----------|-----|-----|-----|-----|------|----|-----|-----|----|-----|----|-----|-----|----|
| 290 017 | lacquered | 8,5 | 485 | 427 | 350 | 67,5 | 50 | 296 | 226 | 60 | 206 | 30 | 379 | 339 | mm |
| 290 022 | chromed   |     |     |     |     |      |    |     |     |    |     |    |     |     |    |

## Accessories: Receiving baskets (steel):



| Art.No. | D  | B   | B1  | B2 | H   | H1  | H2 | H3  | T   |    |
|---------|----|-----|-----|----|-----|-----|----|-----|-----|----|
| 290 031 | 10 | 473 | 433 | 20 | 250 | 205 | 25 | 100 | 360 | mm |
| 290 057 | 10 | 473 | 433 | 20 | 500 | 450 | 25 | 200 | 425 | mm |
| 290 063 | 10 | 500 | 450 | 34 | 500 | 450 | 25 | 200 | 620 | mm |

## Accessories: Carrier rack:



| Art.No. |           | Ø   | B   | H   | H1  | H3 |
|---------|-----------|-----|-----|-----|-----|----|
| 290 091 | Lacquered | 5,5 | 144 | 576 | 485 | 70 |
| 290 092 | chromed   |     |     |     |     |    |