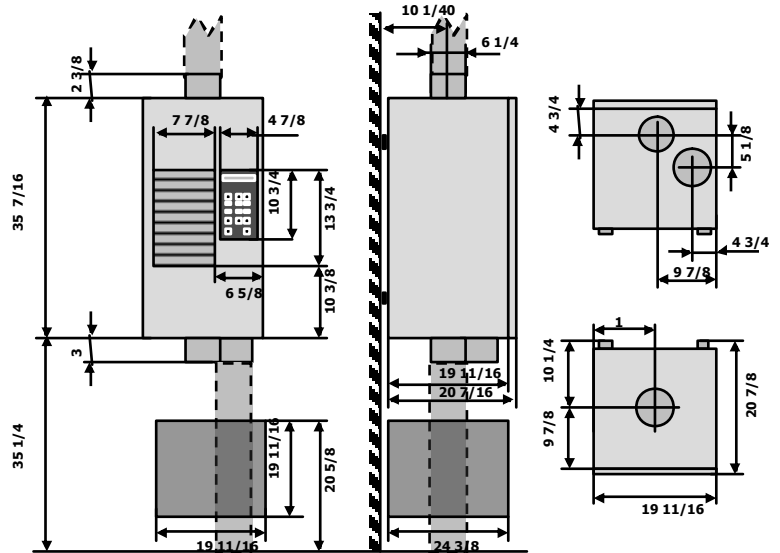


GIGA-Station - AC 3000



Use:

The GIGA-station is available for OD 6 1/4" only and serves as through-station or end-station with approach from above or below.

Send:

Push the button to open the front-door, enter the destination number and place the carrier into the front-loading bay. Place the carrier into the front-loading bay. The Giga-station transports the stored carrier automatically to its destination.

Receive:

Carrier arrives gently on an aircushion and is deposited in a sound-proof receptacle.

Easy of Use:

- Easy-to-reach and operate the loading bay in the front cover
- The loading bay is normally closed as a security measure and opens by pushing a button
- Display indicates users, destinations and special functions in clear text (2-lines, each 24-digits)
- By a scroll-function of the station-keyboard all users easily can be found
- The ergonomically designed station-keyboard is protected against dust and dirt by a telephone-type membrane key pad
- 3 LEDs in the operation panel show the state of operation
- 16 arrival signals as a standard, this means that several users have access to the station, each of them gets it's own signal
- Several destination numbers can be assigned to one signal and several signals can be assigned to one destination. (Software-controlled).
- Follow-me-function in case of absence, also temporary available
- Special functions, like priority or slow transport can be assigned either to the station or to the destination number
- Repetition control for several carriers to the same destination, optionally fix programmed or variable
- Destination numbers up to 5-digits

Technique:

- The shutter of the loading bay is normally closed and opens by pushing a button to store a carrier.
- Station is suitable for installation in niches, because all parts are easily accessible in front
- The modern state-of-the-art technology provides a secure deceleration and ejection of heavy carriers on arrival.
- Spacious integrated by pass
- No air-exhaust at through stations. At end stations the air can be diverted (optional)
- An integrated service switch allows extensive function tests at the station; direct feed back in the display

GIGA-Station - AC 3000



← Operating unit
AC 1000

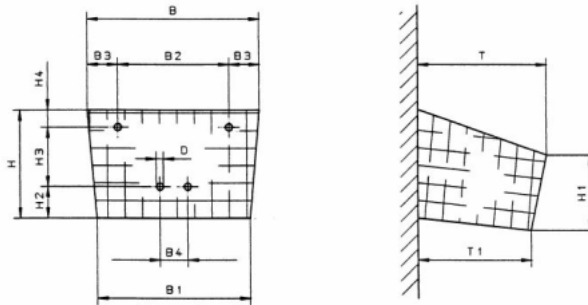


AC 3000 →

Quality:

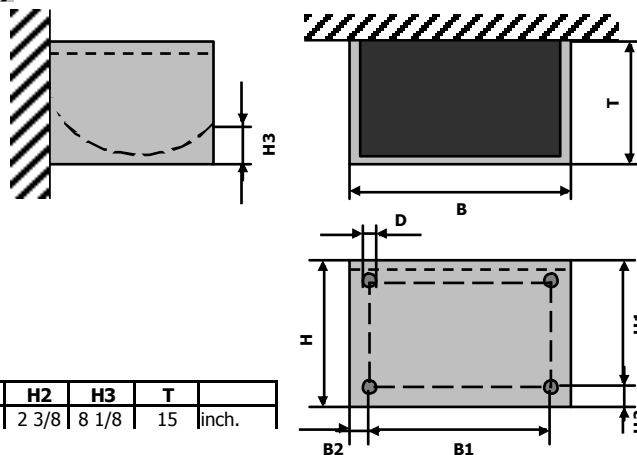
- Steel-plate housing with hinged door, colour RAL 7035
- Longlife proximity switches
- Electronically, software-controlled motor driver
- Industrial grade, heavy duty motors
- Movement by roller bearings
- Maintenance-free Teflon®- sealings
- Noiseless carrier transit
- Fully-electronic, maintenance-free microprocessor controls

Accessories: Receiving baskets (lattice)



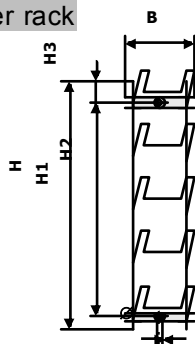
| Art.No. | | D | B | B1 | B2 | B3 | B4 | H | H1 | H2 | H3 | H4 | T | T1 | |
|---------|-----------|-----|---------|--------|--------|-------|----|--------|-------|-------|-------|--------|----|--------|-------|
| 290 017 | lacquered | 3/8 | 19 1/16 | 16 7/8 | 13 3/4 | 2 5/8 | 2 | 11 5/8 | 8 7/8 | 2 3/8 | 8 1/8 | 1 3/16 | 15 | 13 3/8 | inch. |
| 290 022 | chromed | | | | | | | | | | | | | | |

Accessories: Receiving baskets (steel)



| Art.No. | D | B | B1 | B2 | H | H1 | H2 | H3 | T | |
|---------|-----|---------|--------|--------|--------|-------|-------|-------|----|-------|
| 290 031 | 3/8 | 19 1/16 | 16 7/8 | 13 3/4 | 11 5/8 | 8 7/8 | 2 3/8 | 8 1/8 | 15 | inch. |

Accessories: Carrier rack



| Art No. | | ∅ | B | H | H1 | H3 | |
|---------|-----------|-----|-------|--------|----|-------|-------|
| 290 091 | Lacquered | 1/4 | 5 5/8 | 22 5/8 | 19 | 2 3/4 | inch. |
| 290 092 | chromed | | | | | | |