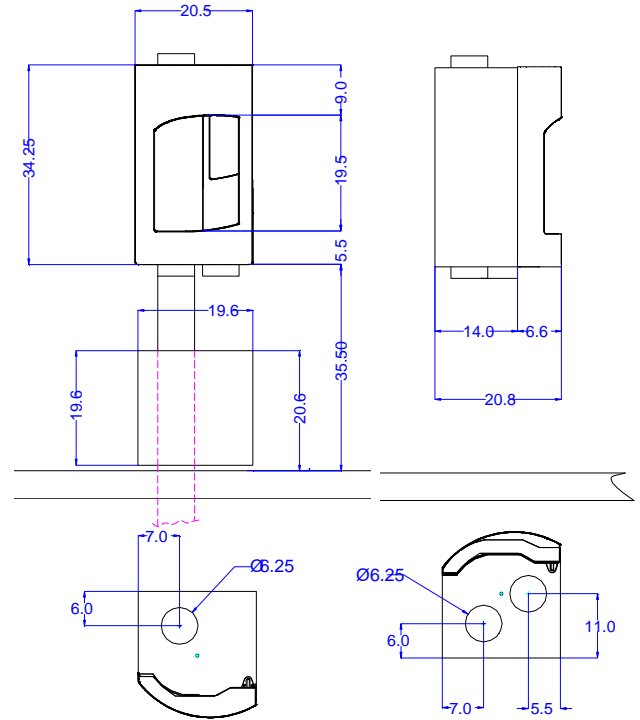


TITAN-Station - AC 3000

160



Use:

The TITAN-station is available for OD 160 only and serves as through-station or end-station with approach from above or below.

Send:

Enter the destination number and place the carrier into the front-loading bay. The TITAN-station transports the stored carrier fully automatically to its destination.

Receive:

Carrier arrives gently on an aircushion and are deposited in a sound-proof receptacle.

Easy of Use:

	AC 3000
• Easy-to-reach and operate the loading bay in the front cover.	✓
• Display indicates users, destinations and special functions in clear text. (2-lines, each 24-digits)	✓
• By a scroll-function of the station-keyboard all users easily can be found.	✓
• The ergonomically designed station-keyboard is protected against dust and dirt by a telephone-type membrane key pad.	✓
• 4 LEDs in the operation panel show the state of operation.	✓
• 16 arrival signals as a standard, this means that several users have access to the station, each of them gets it's own signal.	16
• Several destination numbers can be assigned to one signal and several signals can be assigned to one destination. (Software-controlled).	✓
• Follow-me-function in case of absence, also temporary available.	✓
• Special functions, like priority or slow transport can be assigned either to the station or to the destination number.	✓
• Repetition control for several carriers to the same destination, optionally fix programmed or variable.	✓
• Destination numbers up to 5-digits.	2-5 digits
• The shutter of the loading bay is normally closed and opens by pushing a button to store a carrier.	✓
• Station is suitable for installation in niches, because all parts are easily accessible in front.	✓
• The modern state-of-the-art technology provides a secure deceleration and ejection of heavy carriers on arrival.	✓
• Spacious integrated bypass.	✓
• No air-exhaust at through stations. At end stations the air can be diverted. (optional)	✓
• An integrated service switch allows extensive function tests at the station; direct feed back in the display.	✓

© by Aerocom - Technical alterations reserved.

aerocom

Aerocom GmbH & Co
Communicationsystems
P.O. Box 10 02 13
73514 Schwaebisch Gmuend
Germany

Phone +49.71 71.10 45 0
Fax +49.71 71.10 45.2 99
info@aerocom.de
www.aerocom.de

GIGA-Station - AC 3000

Operating panel AC 3000



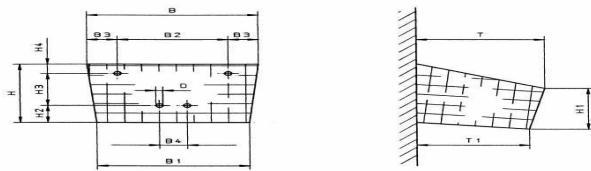
Technique + Quality:

- Steel-plate housing, front cover ergonomically designed, made of Polystyren (not inflammable) RAL 7035
- Dynamic servo motor with integrated incremental encoder
- Electronically, software-controlled motor driver
- Movement by roller bearings
- Maintenance-free Teflon®- sealings
- Noiseless carrier transit
- Fully-electronic, maintenance-free microprocessor controls
- Integrated in the swivel door are operation panel with keyboard and display

Accessories: Receiving baskets (lattice)



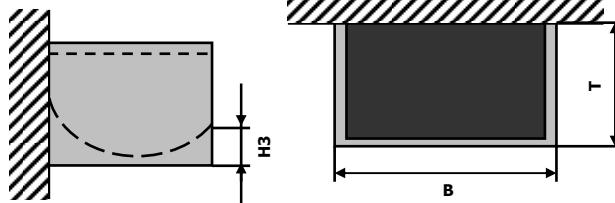
Auffangkorb waagrecht
receiving basket horizontally



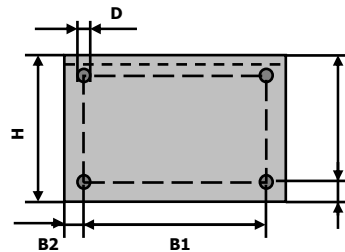
Art. Nr.	D	B	B1	B2	B3	B4	H	H1	H2	H3	H4	T	T1	Gewicht Weight
290 023	10	500	442	350	75	50	458	400	65	335	58	612	588	kg

Art. No.	D	B	B1	B2	B3	B4	H	H1	H2	H3	H4	T	T1	mm
290 023	10	500	442	350	75	50	458	400	65	335	58	612	588	mm

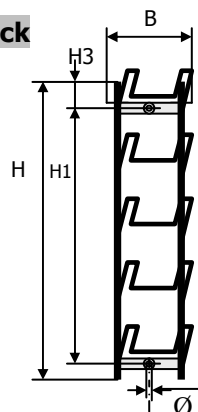
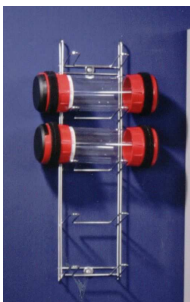
Accessories: Receiving baskets (steel)



Art. No.	D	B	B1	B2	H	H1	H2	H3	T
290 063	10	500	432	34	500	450	25	200	620



Accessories: Carrier rack



Art. No.	Ø	B	H	H1	H3
290 093	7	200	845	630	115

aerocom

Aerocom GmbH & Co
Communicationssysteme
P.O. Box 10 02 13
73514 Schwaebisch Gmuend
Germany

Phone +49.71 71.10 45 0
Fax +49.71 71.10 45.2 99
info@aerocom.de
www.aerocom.de